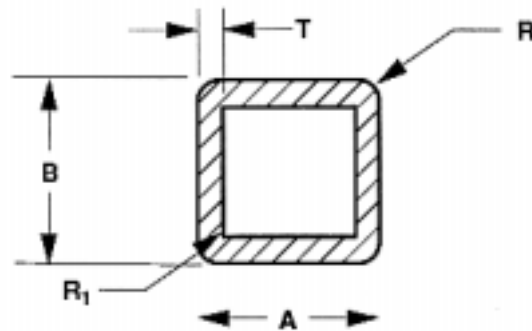




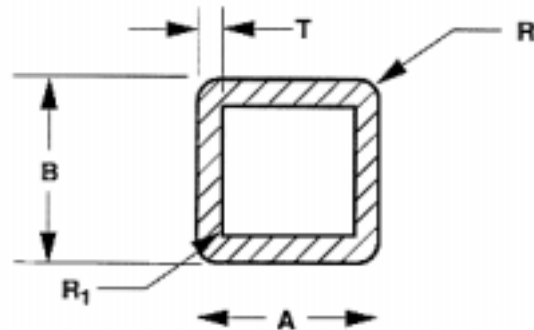
RECTANGULAR / SQUARE TUBING AVAILABLE TOOLING



DIE #	SIZE					EST. WT/FT
	A	B	T	R	R ₁	
F-129	.200	.120	.017			.008
F-3055	.200	.200	.045	.031		.034
F-1118	.235	.700	.040			.083
F-1125	.250	.255	.035	.010	.020	.040
F-3476	.250	1.000	.035			.099
F-1850	.250	1.000	.050			.138
F-2764	.263	.550	.020	.020	.010	.037
F-2893	.304	.494	.057	.031		.094
F-2962	.304	.499	.054	.015		.091
F-3137	.310	.380	.046	.015		.066
F-1397	.310	.500	.060	.020		.100
F-1015	.320	.620	.040			.079
F-737	.336	.400	.060	.050	.050	.089
F-738	.353	.533	.070	.085	.060	.126
F-1714	.375	.375	.040			.065
F-1103	.375	.750	.050		.032	.147
F-1903	.375	1.000	.060	.125	.065	.181
F-848	.410	1.300	.032	.130	.098	.128
F-1503	.444	.530	.062			.126
F-1828	.480	.894	.040			.125
F-1207	.500	.625	.062	.035	.050	.150
F-785	.500	.750	.035	.010	.010	.099
F-950	.500	.750	.035			.099
F-2357	.500	1.000	.035		.031	.121
F-1200	.500	1.125	.035	.250	.215	.114



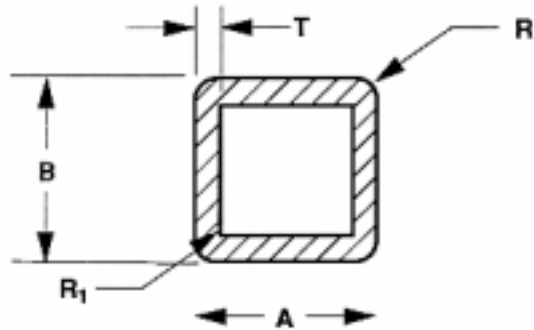
RECTANGULAR / SQUARE TUBING AVAILABLE TOOLING



DIE #	SIZE					EST. WT/FT
	A	B	T	R	R ₁	
F-815	.500	1.500	.035			.162
F-2873	.500	1.500	.125	.060	.030	.525
F-3511	.612	.912	.046	.060	.030	.155
F-1101	.625	.625	.045			.130
F-816	.625	1.000	.049	.174	.125	.177
F-1458	.625	1.625	.050	.312	.262	.223
F-2075	.682	1.412	.045			.224
F-1109	.700	1.872	.065	.010	.030	.381
F-2195	.712	1.462	.045			.225
F-3510	.714	1.014	.046	.060	.055	.170
F-3426	.750	.750	.060		.060	.202
F-2318	.750	.875	.062			.223
F-2074	.750	1.500	.064			.326
F-2319	.750	1.562	.062			.326
F-425	.785	.785	.050			.158
F-3474	.813	.813	.080			.280
F-1616	.860	.860	.040			.158
F-2897	.875	1.000	.094		.030	.381
F-2919	.910	2.410	.060	.031	.040	.461
F-2286	1.000	1.000	.065	.156	.091	.289
F-1994	1.000	1.250	.060	.150	.120	.307
F-2077	1.036	1.036	.045			.209
F-2918	1.093	2.593	.060	.031	.040	.514
F-2915	1.100	1.100	.026	.048	.020	.129
F-1720	1.120	1.500	.070	.190	.095	.441



**RECTANGULAR / SQUARE TUBING
AVAILABLE TOOLING**

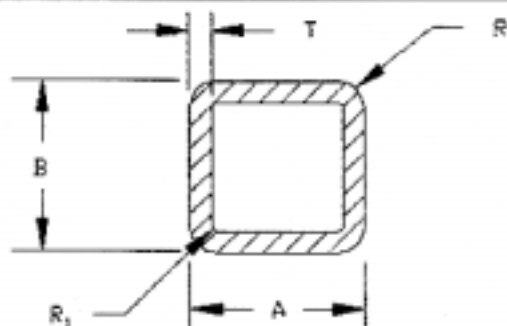


DIE #	SIZE					EST. WT/FT
	A	B	T	R	R ₁	
F-2917	1.277	2.777	.060	.031	.040	.566
F-2609	1.500	1.500	.095	.220	.125	.640



MANN MADE,
INC.

RECTANGULAR/SQUARE TUBING
AVAILABLE TOOLING



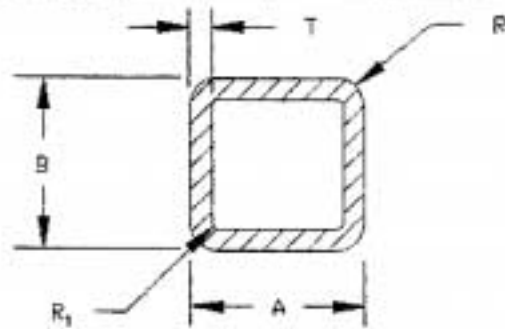
SIZE

DIE#	A	B	T	R	R ₁	EST. WT/FT
F-5165	0.180	0.670	0.050			0.090
F-4539	0.205	0.462	0.031			0.046
F-5505	0.220	0.625	0.062			0.107
F-4401	0.225	0.590	0.020	0.030	0.010	0.036
F-4820	0.228	0.400	0.025			0.035
F-6225	0.230	0.500	0.040	0.115	0.075	0.054
F-4555	0.250	0.750	0.035	0.016	0.016	0.078
F-4602	0.264	0.732	0.020	0.040	0.020	0.045
F-4402	0.264	0.804	0.020	0.030	0.010	0.048
F-5430	0.280	1.100	0.035	0.035		0.110
F-5743	0.296	0.486	0.052			0.085
F-4403	0.303	0.709	0.020	0.030	0.010	0.046
F-4471	0.363	1.018	0.048		0.060	0.152
F-5959	0.385	0.860	0.030	0.070	0.040	0.082
F-4653	0.390	1.613	0.031		0.025	0.144
F-4365	0.500	1.000	0.100	0.030	0.060	0.314
F-5492	0.500	1.000	0.130	0.030	0.090	0.394
F-4699	0.591	0.984	0.039	0.016	0.020	0.140
F-6230	0.600	1.200	0.080	0.300	0.220	0.272
F-4572	0.725	0.725	0.026	0.020	0.010	0.087
F-5928	0.740	0.740	0.071	0.040		0.226
F-5565	0.750	0.750	0.065	0.050	0.015	0.211
F-5327	0.750	0.750	0.125			0.375
F-7043	0.750	1.438	0.058	0.156	0.098	0.273
F-6006	0.750	2.000	0.125		0.062	0.754



MANN MADE,
INC.

RECTANGULAR/SQUARE TUBING
AVAILABLE TOOLING



SIZE

DIE#	A	B	T	R	R ₁	EST. WT/FT
F-4784	0.788	0.788	0.079	0.020	0.020	0.269
F-4783	0.788	1.181	0.079	0.020	0.020	0.343
F-6665	0.875	0.875	0.035	0.250	0.215	0.124
F-6607	0.875	0.875	0.062			0.242
F-5897	1.000	1.000	0.025			0.117
F-6648	1.000	1.000	0.031	0.062	0.031	0.141
F-5482	1.000	1.000	0.070	0.250	0.180	0.281
F-7019	1.000	1.000	0.125		0.125	0.541
F-6721	1.000	1.250	0.120	0.210	0.090	0.542
F-5297	1.000	1.680	.01575			0.894
F-6947	1.125	1.125	0.050			0.258
F-5638	1.125	1.125	0.120			0.579
F-6905	1.125	1.125	0.125			0.600
F-4888	1.180	1.180	0.035		0.015	0.166
F-4920	1.250	1.250	0.125	0.016	0.016	0.675
F-6722	1.250	1.500	0.090	0.180	0.090	0.530
F-5889	1.320	0.750	0.065	0.375	0.310	0.257
F-5650	1.380	0.750	0.062	0.375	0.313	0.255
F-5815	1.500	0.500	0.045			0.206
F-5501	1.500	1.983	0.250	0.062	0.016	1.786
F-5226	1.500	2.095	0.250	0.062	0.016	1.853